



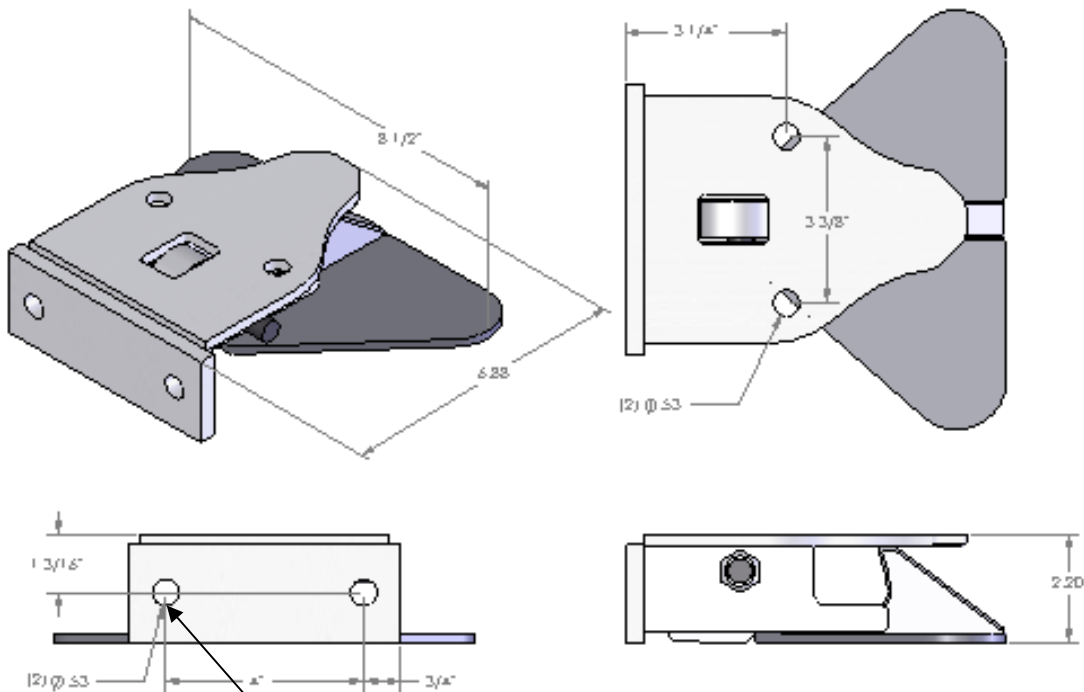
Where Materials Flow by Design

Kinetic Technologies, Inc.

1350 Rockefeller Road  
Wickliffe, OH 44092  
Telephone: (440) 943-4111  
Fax: (440) 943-4777  
E-Mail: info@KtecInc.com

## HITCH ASSEMBLY MOUNTING INSTRUCTIONS

### 40480-CA



(2) 1/2" DIA, GRADE 5 BOLTS  
(4) 1/2" DIA. THCK WASHERS  
(2) 1/2" METAL LOCKNUTS

#### Mounting Instructions:

- Mounting of hitch assembly requires (2) 1/2-13 bolts grade-5 and meets ASME and SAE specifications.
- Hitches must be mounted to structural member of cart and be able to handle 10,000 lbs GVW.
- Recommend a minimum material thickness of 1/4" steel angle.
- For top mounting of hitch minimum material thickness of 3/16" with a minimum edge distance of 2"